

# FWA-6080

## High Core Density 2U Network Appliance with Security and Acceleration Features Ready



### Features

- Single AMD EPYC™ 7003 processor up to 64Cores/128Threads
- 16x DDR4 3200/2933 R-DIMM up to 1TB system capacity
- 8 x Network Mezzanine slots with 16GB/s throughput per slot
- 2 x hot-swappable 2.5" SATA SSD/U.2 PCIe NVMe for easy maintenance
- Redundant F/W images to minimize risks and trouble-shooting resources
- High-level security protection by Advantech IPMI for out-of-band management and diagnostics

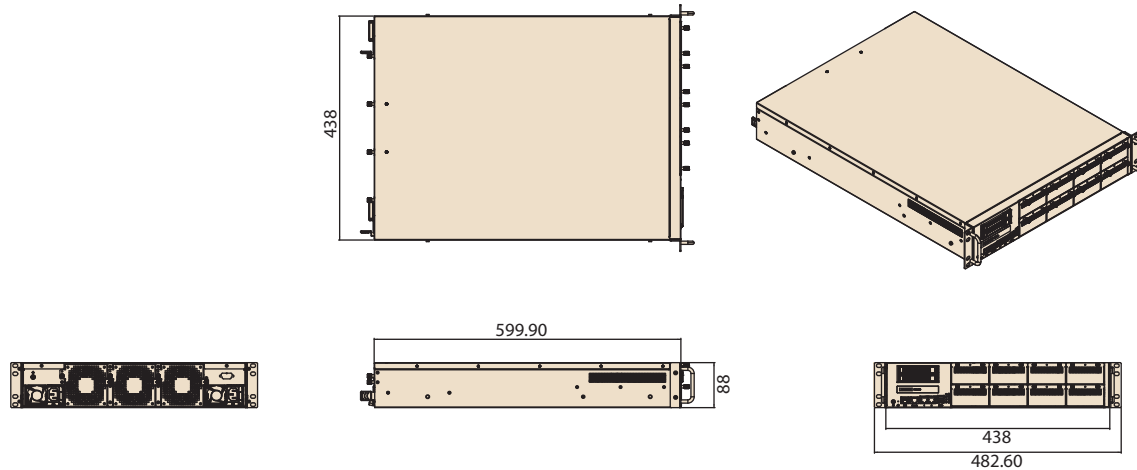


### Specifications

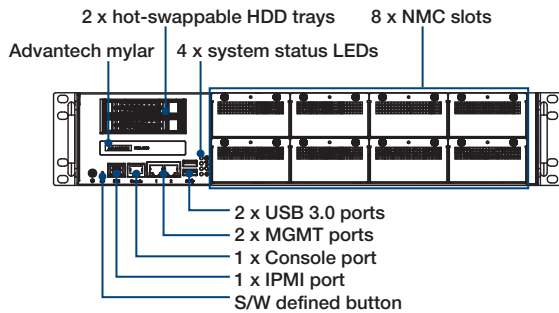
System P/N		FWA-6080-01A1R
Form Factor		2U - Rack Mount
Processor System	Processor	Single 3rd Gen. AMD EPYC™ 7003 series processor Max. up to 240W
	Core Number	Up to 64 cores
	Frequency	Up to 3.7GHz
	L3 Cache	32MB shared by 8 cores
	Chipset	None
	BIOS	AMI EFI 64Mbit
Virtualization		AMD-V™
Memory	Technology	DDR4, 3200/2933MHz
	Max. Capacity	1024GB (64GB per slot)
	Socket	16 x 288-pin RDIMM
	ECC Support	Yes
Networking	Controller	2 x Intel i210-AT, 1 x Realtek PHY
	1GbE	2 x 1GbE RJ45 for management via Intel i210-AT, 1 x 1GbE RJ45 dedicated for IPMI management via Realtek PHY
	LAN Bypass	Support by NMC
Expansion	PCIe x16	2 x low-profile PCIe gen4x16 slots, 1 x 10.5" FHFL PCIe gen4 x16 slot (Backward compatible to 3/4 and low-profile PCIe card)
	NMC	8
Storage	2.5" HDD/SSD/NVMe	2 (U.2 PCIe NVMe by inquiry)
	M.2 SSD	2 x M.2 2280 SSD socket
I/O	Console port	1 (RJ45)
	USB3.0	2
	LED Indicator	1 x Power LED, 1 x Alert LED, 1 x Locate LED, 1 x Software-defined LED
	VGA	1 (rear)
	Others	1 x Power button, 1 x Software-defined button
	TPM	
LCD Module		None (Option: 21 columns x 4 lines text display)
Power Supply	Power Type	Redundant 1+1 AC (Option: Redundant DC PSU)
	Watts	850W (Option: 1300W DC)
	Input	AC: 100-127V ~ / 10A ; 200-240V ~ / 5A, 47-63Hz DC: -48V
	Connector	CRPS
Environment	Operating Temperature (air flow 0.7 m/sec)	0 ~ 40 °C (32 ~ 104 °F)
	Non-operating Temperature	-20 ~ 80° C (-4 ~ 167° F) and 40° C @ 95% RH Non-Condensing
	Vibration Resistance	with SATA HDD: 0.5 Grms, IEC 60068-2-64, 5-500Hz, 1hr/axis
	Shock Protection	with SATA HDD: 10G, IEC-60068-2-27, half sine, 11ms duration
Cooling		3 x hot-swappable system FAN with smart FAN control
Mechanical	Construction	Iron
	Mounting	2U Rackmount
	Dimensions (W x H x D)	438 x 88 x 600mm (17.24" x 3.46" x 23.62")
	Weight	15Kg (G.W)
OS support		Linux (CentOS, Red Hat, Ubuntu, Fedora)
Advantech S/W Packages		QuickStart Linux Image (CentOS based reference BSP) including <ul style="list-style-type: none"> <li>▪ afu</li> <li>▪ ipmitool</li> <li>▪ LCD4Linux</li> <li>▪ Advanced LBP Utility</li> <li>▪ DPDK</li> <li>▪ Intel QAT</li> </ul>
		Individual packages: <ul style="list-style-type: none"> <li>▪ Advanced LBP Library</li> <li>▪ DUI (Offline Diagnostics)</li> </ul>
IPMI		Carrier Grade BMC, IPMI v2.0 compliant, with web interface, iKVM on request (Advantech IPMI Core)
Certification		CE/FCC/CB/UL/CCC

## Dimensions

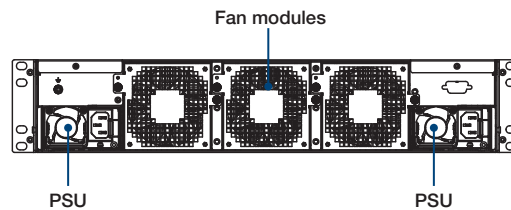
Unit: mm



### Front Panel External I/O Mechanical Layout/Drawing



### Rear Panel External I/O Mechanical Layout/Drawing



## Ordering Information

Part Number	CPU	DDR4	NMC Slot	PCIex16 Slot	HDD slot	IPMI/BMC	TPM	USB3.0	MGMT. port	LCM	Console	PSU
FWA-6080-01A1R	Single socket for 3rd Gen. AMD EPYC™ 7003 series processor	16	8	3 (2x low-profile, 1x FHFL)	2	Yes	None	2	3	None	Yes	Redundant 1+1 850W AC

## Packing List

Part Number	Description
1700020691-01	M CABLE D-SUB 9P(F)/RJ45 220cm

## Optional Power Supply List

Part Number	Description
96PSRM-D800WCRP	DC 800W PSU CRPS module

## Optional Accessories

Part Number	Description
1702002600	Power cord 3P 180 cm, USA
1702002605	Power cord 3P 180 cm, Europe
1702031801	Power cord 3P 180 cm, UK
1700000237	Power cord 3P 180 cm, JP
1700009652	Power cord 3P 180 cm, China
9692326040E	TPM 2.0
9680016905	Slide rail