

# ARK-2250L A2

## Intel 6th Generation Core™ i7 with ePaper manager Fanless Box PC



### Features

- Intel 6th Gen Intel® Core™ U-series (i7)
- VGA and HDMI dual display, option 3rd display for triple display
- 12V lockable DC jack power input
- 9-36V optional power module compatible with all-in-one ordering
- -20 ~ 60 °C extend temperature operating
- 2 x full size mPCIe expansion for WIFI/Cellular communication module
- 1TB SATA HD and 16G RAM
- Advantech iDoor module compatible
- Advantech ARK Plus module support by dual layer configurations
- 500 connection licenses of ePaper manager

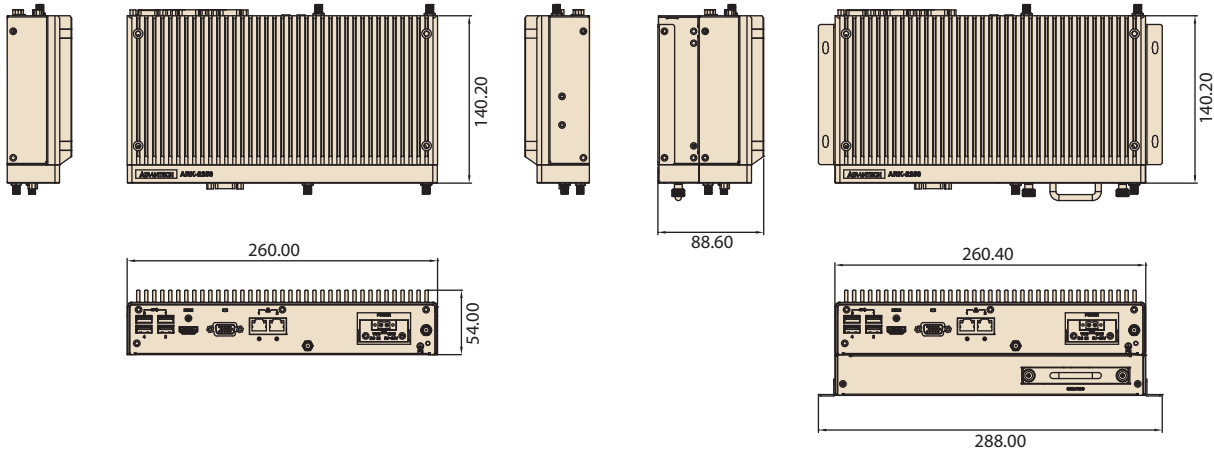
### Specifications

Processor System	CPU	Intel Core i7 6600U
	Base Frequency	2.6 GHz (Dual-Core)
	L3 Cache	4MB
	BIOS	AMI UEFI 128 Mbit
Memory	Technology	DDR4 2133 MHz
	Max. Capacity	16 GB
	Socket	1 x 260-pin SO-DIMM
Graphics	Controller	Intel HD Graphics 520
	Graphic Engine	DirectX 11.3, OpenGL 4.4, and OpenCL 2.1 Full AVC/VC1/MPEG2 HW Decode
	VGA	Up to 1920 x 1200 @ 60Hz (No hotplug support)
	HDMI	HDMI 1.4a for HD video playback, 4096 x 2160 @ 24Hz
	Dual Display	Yes, VGA + HDMI
	Optional display Module	HDMI, DP
Ethernet	LAN1	10/100/1000 Mbps Intel i219 GbE, support Wake On Lan
	LAN2	10/100/1000 Mbps Intel i210 GbE, support Wake On Lan
Audio	Interface	Realtek ALC888S, High Definition Audio. Line-out, Mic-in
IO Interface	Serial Ports	4 x RS-232/422/485 port with auto flow control
	USB Interface	4 x USB 3.0, 2 x USB 2.0
	DIO	8 bit
Other	Watchdog timer	255 levels timer interval, setup by software
Expansion	Mini PCIe	2 x full size Mini PCIe with (CN14 with SIM holder)
	iDoor	1 set (option)
Storage	HDD	Supports one SATA 2.5" HDD Bay (Compatible with 12.5mm height HDD) (Max. Data Transfer Rate 300 MB/s)
	SSD	1 x full size mSATA socket (CN15, shared with mPCIe)
Software Support	Microsoft Windows	Windows 10, Windows 8.1, WES7, Windows 7
	Linux	Support by project
Power Requirement	Power Type	ATX
	Power Input Voltage	12V <sub>DC</sub> (9-36V as option)
	Minimum Power Input	12 V, 5 A
Power Consumption	Power Adapter	AC to DC, DC12V/5A, 60W (Option)
	Typical	7.96 Watt
Mechanical	Max.	43.28 Watt
	Construction	Aluminum housing
	Mounting	Din-Rail mounting, Desk/wall-mounting, VESA mounting
	Dimensions (W x H x D)	260 x 54 x 140.2 mm (10.24" x 2.13" x 5.52")
	Weight	2.3 kg (5.07 lb)
Environment	Operating Temperature	With extended temperature peripherals: -20 ~ 60 °C (-4 ~ 140 °F) with 0.7m/s air flow With 2.5-inch hard disk 0 ~ 45 °C (32 ~ 113 °F) with 0.7m/s air flow
	Storage Temperature	-40 ~ 85 °C (-40 ~ 185 °F)
	Relative Humidity	95% @ 40 °C (non-condensing)
	Vibration During Operation	With SSD: 3 Grms, IEC 60068-2-64, random, 5 ~ 500 Hz, 1 hr/axis.
	Shock During Operation	With SSD: 30 G, IEC 60068-2-27, half sine, 11 ms duration
	EMC	CE/FCC Class B, CCC, BSMI
	Safety Certifications	UL, CCC, BSMI

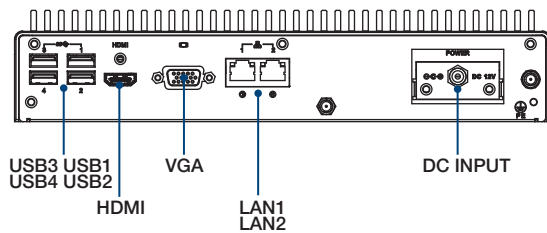
# ARK-2250L A2 with ePaper manager

## Dimensions

Unit: mm

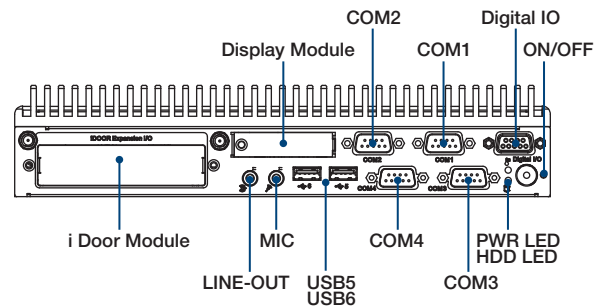


## Front Panel External I/O Mechanical Layout/Drawing



\*Power Input module by option

## Rear Panel External I/O Mechanical Layout/Drawing



## Ordering Information

Part No.	CPU	VGA	HDMI	GbE	USB 2.0	USB 3.0	RS-232/422/485	DIO	Audio	Full-size MiniPCIe	SIM	mSATA	2.5" SATA II HDD Bay	Power Input	Operating Temp.
ARK-2250L-EP1A2 Ubuntu 18.4	Intel Core i7-6600U	Yes	Yes	2	2	4	4	1	Lin-out, Mic-in	2	1	1	1	12 V <sub>DC</sub>	-20 ~ 60 °C

Note: Memory, storage and operating system bundled by request.

\* i5-6300U is supported by T-PN, MOQ 30pcs.

## Packing List

Part Number	Description
-	1 x ARK-2250L Unit
-	1 x User Manual (Simplified Chinese)
-	1 x China RoHS
-	2 x Wall mounting bracket
-	2 x LAN Clip

## Ubuntu development kit ordering information

	Part No.	Description
EPD device	EPD-023B2AG-NTC02	2.9" Wireless ePaper display device solution in 2.4G
Router	WISE-3240IOS-41A1E	Router for EU
	WISE-3240IOS-41A1J	Router for Japan
	WISE-3240IOS-41A1N	Router for NA
	WISE-3240IOS-41A1T	Router for Taiwan
	WISE-3240IOS-41A1C	Router for China
ePaper manager	ARK-1123H-EP2A2 for Entry	Ubuntu /1T HD/8G RAM and build in ePaper Manager Software with 500 device licenses
	ARK-2250L-EP1A2 for Enterprise	